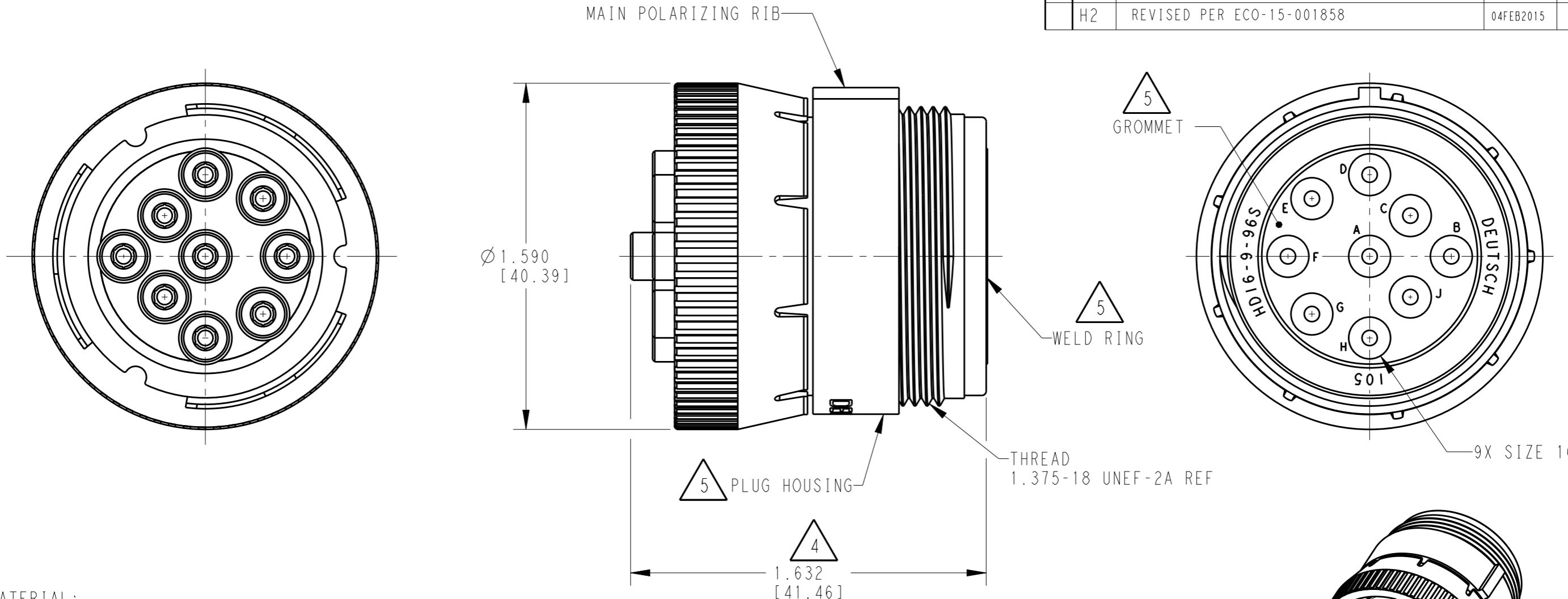


| LOC | DIST | REVISIONS | | | |
|-----|------|---------------------------|-----------|-----|------|
| P | LTR | DESCRIPTION | DATE | DWN | APVD |
| | G | REVISED PER E.O. P21133 | 29SEP2011 | | RDR |
| | H | REVISED PER E.O. P21366 | 04JUN2012 | | RDR |
| | H1 | REVISED PER ECO-14-002953 | 29JAN2014 | PV | DM |
| | H2 | REVISED PER ECO-15-001858 | 04FEB2015 | JA | DM |



5 MATERIAL:
 PLUG HOUSING AND WELD RING: PA 15%GF (GREY)
 GROMMET: SILICONE (RED)

4 OVERALL DIMENSION DOES NOT INCLUDE RUBBER GROMMET.

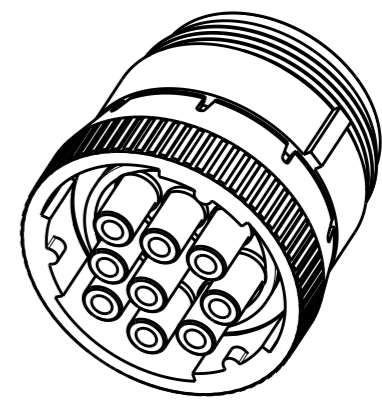
3. THIS PLUG MATES WITH FOLLOWING RECEPTACLE (X=SEAL TYPE, XXXX= ALL MODIFICATIONS).
 HD10-9-96PX-XXXX
 HD14-9-96PX-XXXX

2 SEE DRAWING 0425-015-0000 FOR CONTACT AND WIRE PERFORMANCE AND APPLICATION CHARACTERISTICS

1. SEE TABLE FOR USABLE WIRE RANGE AND INSULATION RANGE:

| CONTACT SIZE | MINIMUM O.D. | MAXIMUM O.D. | WIRE RANGE [mm ²] 2 |
|--------------|--------------|--------------|---------------------------------|
| 16 | .100 [2.54] | .150 [3.81] | 14-20 AWG [2.0-.50] |

NOTES:



3D VIEW

| | | | | |
|--|--|--------------------------------|---|------------------------|
| THIS DRAWING IS A CONTROLLED DOCUMENT. | | DWN R. OCHOA 14AUG1998 | TE Connectivity | |
| DIMENSIONS: INCHES [mm] | | CHK I. GRANTCHAROVA 18SEP2013 | | |
| TOLERANCES UNLESS OTHERWISE SPECIFIED: | | APVD D. MEYER 19SEP2013 | NAME PLUG CONNECTOR HD10 SERIES ARR. 9-96 COLOR: GREY | |
| 0 PLC ± | | PRODUCT SPEC 0425-015-0000 | SIZE A3 | |
| 1 PLC ± | | APPLICATION SPEC 0425-015-0000 | CAGE CODE 4AFU8 | DRAWING NO. HD16-9-96S |
| 2 PLC ± | | WEIGHT 37.50g | RESTRICTED TO - | |
| 3 PLC ±.025 [0.64] | | Customer Drawing | | |
| 4 PLC ± | | SCALE 2:1 | | |
| 4 PLC ANGLES ± ±0° 30' 0" | | SHEET 1 OF 1 | | |
| FINISH N/A | | REV H2 | | |